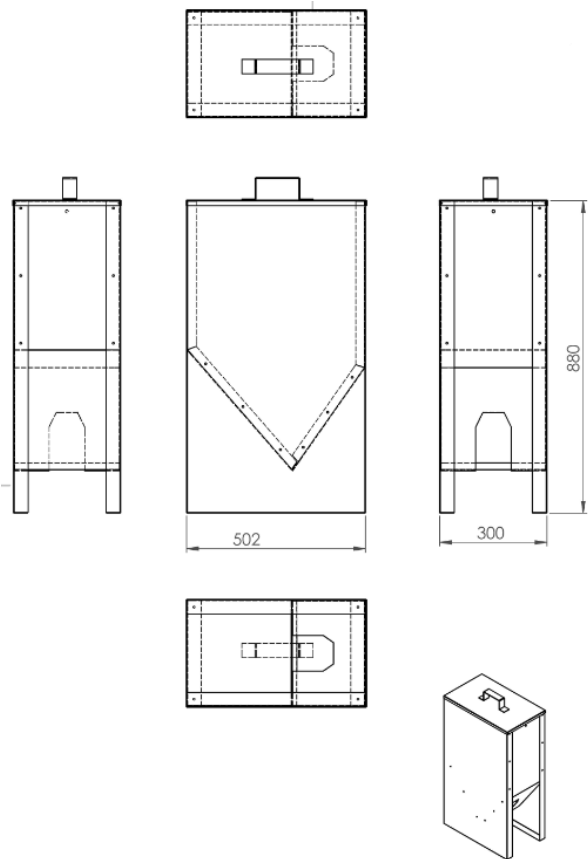


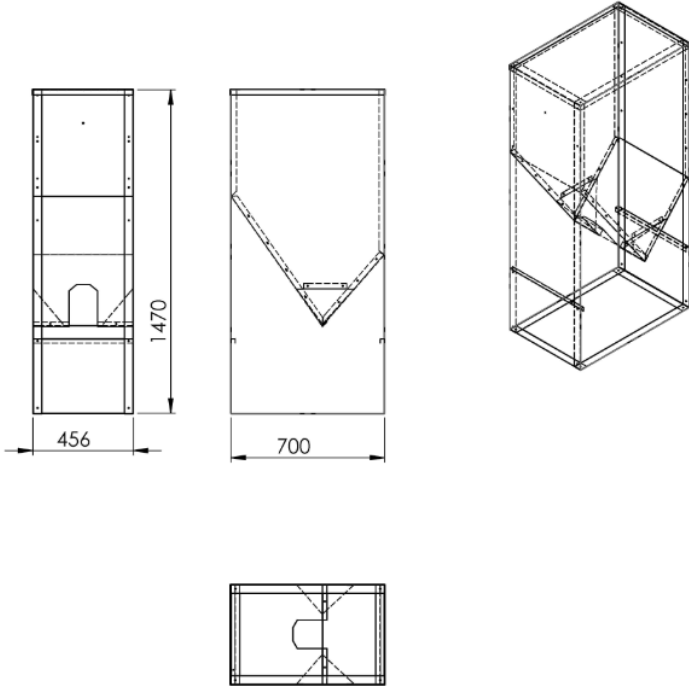
Lp	SPARE PARTS and OPTIONS PRICELIST	NET PRICE EURO
1.	Transport of the technician to the client	0,5 E/km
2.	Burners technical overview	100
3.	Heaters technical overview	120
4.	Parts exchange	100 E/h
5.	Photodetector	58
6.	Temperature sensor	32
7.	Grill- 130mm	116
8.	Grill- 150mm	116
9.	Grill- 183mm	118
10.	Spiro pipe (flexible pipe)	35
11.	Burner pipe	140
12.	Ignition/lighter	70
13.	Feeder/auger 0,8 m/15 rotations	105
14.	Feeder/auger 1,8 m/15 rotations	116
15.	Feeder/auger 1,8 m/30 rotations	135
16.	Controller RK – 2006 LP	186
17.	Controller RK-2006 LPG (cooperating with modules) dedicated to pellets burners and boilers	210
18.	Controller RK – 2006 LPGN (cooperating with modules) dedicated to pellets heaters	210
19.	Room controller RT- 208 G (weekly)	70
20.	Internet Module UMI-1 -WIFI	220
21.	Internet Module UMI-1 - GSM	255
22.	Internet Module GSM+ WIFI	290
23.	Module that supports the mixing valve and the pump after the valve UMS-4-PS	47
24.	Electric plate	23
25.	Motor for stocker	116
26.	Burners fan	151
27.	Heaters fan	186
28.	Hopper W1 (90l.)	46
29.	Hopper W2 (270 l.)	127
31.	Hopper W3 (480 l.)	197
32.	Hopper W4 (750 l.)	348

Prices valid till 30 12 2017

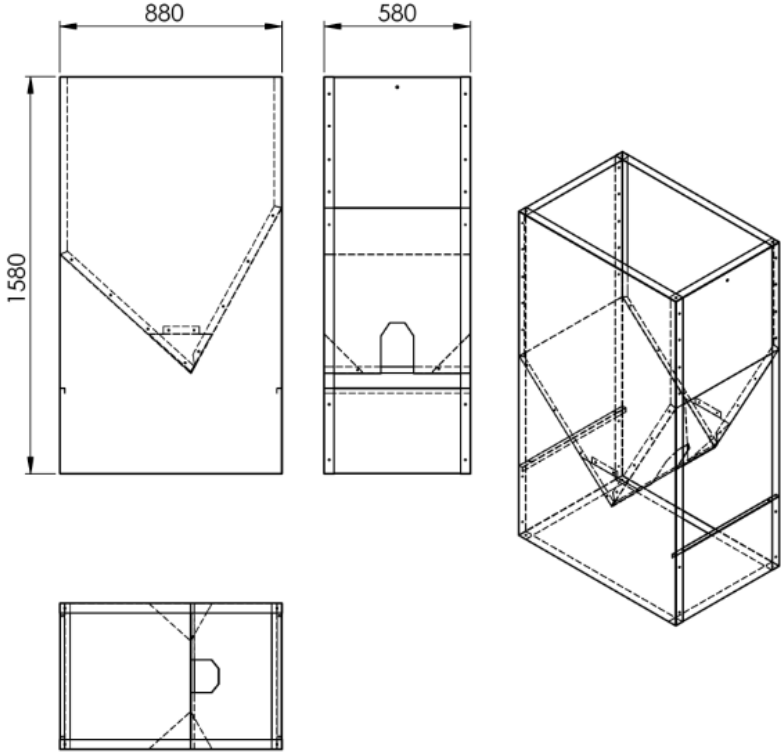
HOPPER W1 - 90 l.



HOPPER W2 - 270 l.



HOPPER W3 - 480 l.



HOPPER W4 - 750 l.

